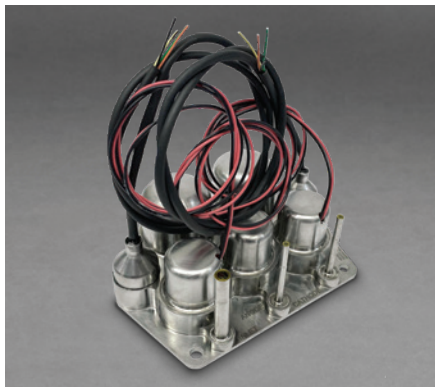


COMMERCIAL FEED SYSTEM FOR SPACECRAFT APPLICATIONS



Moog has a modular single string and redundant commercial feed system that is ideal for spacecraft applications requiring electric propulsion. The system is able to regulate high pressure from a tank downstream into a thruster assembly for multiple propellant types, including Xenon and Krypton. System can be tuned for multiple different pressures and outlet ranges.

KEY FEATURES

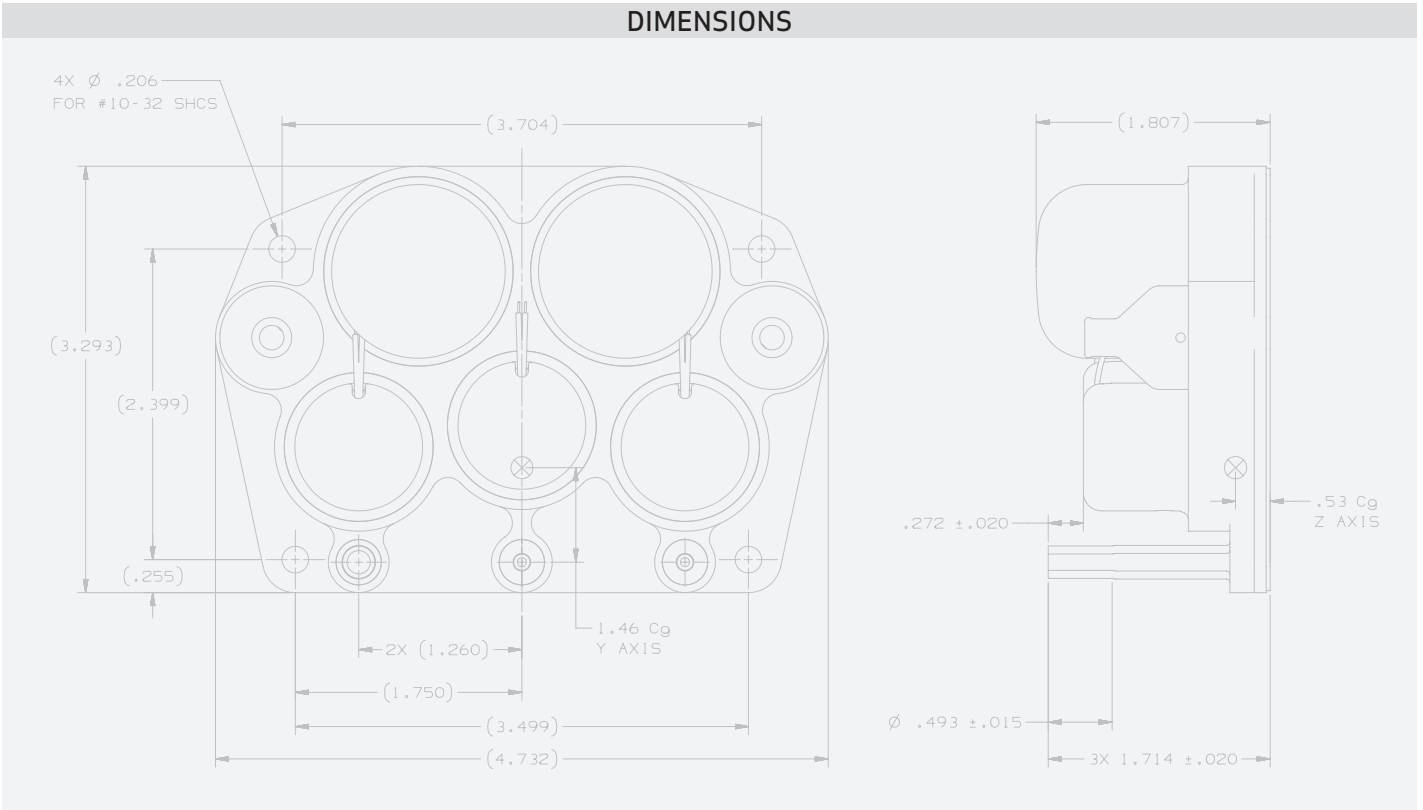
- Feed system regulates pressure via bang bang operation
- System can withstand full tank pressure, provides both regulation and 2 inhibits
- Modular system allows for single string or redundant configurations
- Configurable for most gas and flow rate combinations. Tank pressures up to 4400 psi.
- System fill and drain valves available separately

COMMERCIAL FEED SYSTEM FOR SPACECRAFT APPLICATIONS

PERFORMANCE CHARACTERISTICS

Characteristic	Performance / Interfaces
Mass Flow Rate	1–14+ mg/s
Nominal Line One/Line Two Split	Line 2 = TBD $\pm 1\%$ of Line 1
Total Flow Accuracy	$\pm 3\%$ or better
MEOP, Proof, Burst (Krypton)	4,400 psia, 6,600 psia (1.5X), 11,000 psia (2.5X)
System Mass	2.25 lbm
External Leakage	$\leq 1.0^{-6}$ sccs GHe
Internal Leakage	$\leq 1.0^{-5}$ sccs GHe

DIMENSIONS



Contact Information:
 Patrick Biver
 500 Jamison Road
 pbiver@moog.com



Moog Space and Defense



@MoogSDG



@MoogSDG



@MoogSDG



@MoogInc

Equipment described herein falls under the jurisdiction of the EAR and may require US Government Authorization for export purposes. Diversion contrary to US law is prohibited.

© 2022 Moog, Inc. All rights reserved. Product and company names listed are trademarks or trade names of their respective companies.